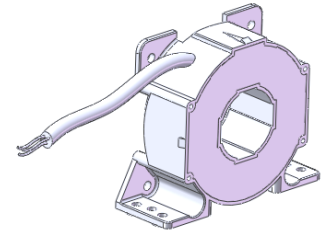


HIC-C23/SP93 series

Current Transducer



1. Brief introduction

HIC-C23/SP93 current transducer uses Hall effect(closed loop principle) to measure any kinds of electric current. The output signal could be small current or low voltage that can be accepted by electronic circuit. The primary input current and the secondary output signal is highly electric isolated. This kind of transducer has a compact size but with a big hole aperture. It can be used in Power Utility, Telecom, Oil & Gas, Traction and Railway ,New energy fields.

- ★ AC/DC/Pulsed and Mixed current ★ Excellent accuracy
- ★ Optimized response time ★ Very good linearity ★ High immunity to external interference
- ★ Wide frequency bandwidth ★ Designed for low ambient operating temperature

2. Order information (see right chart)

HIC-C23-500P5010/SP93

Nominal Current:
500Arms

Nominal Current:
500A

Power supply:
P5:±15-24Vdc

Nominal output:
O10 : 100mA

Nominal output:
O10: 100mA

Power supply:
P5: ±15-24Vdc

3. Eletrical data

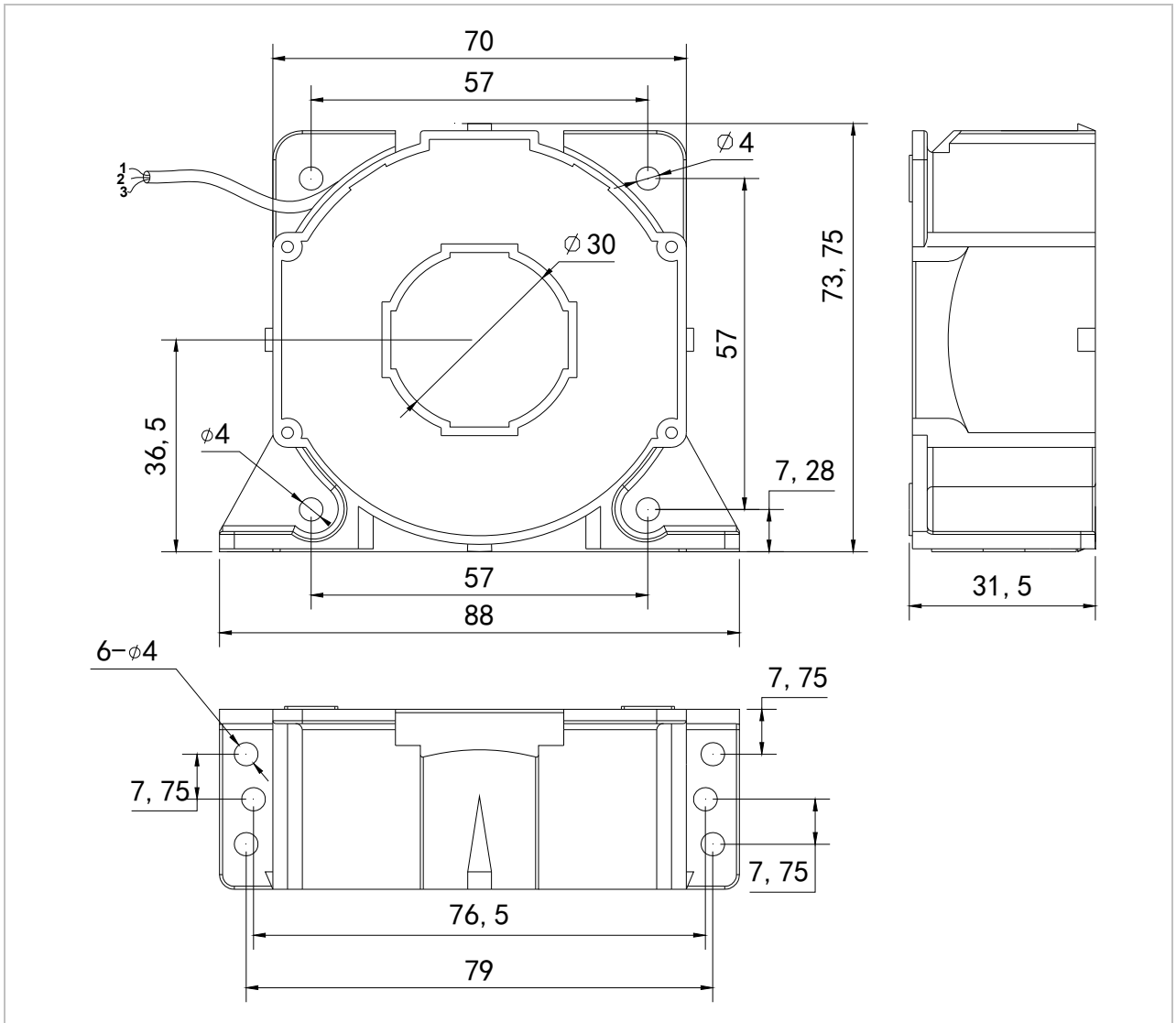
| | | |
|------------------|-------------------------------------|--|
| I _{pn} | Primary nominal current (Arms) | 500 |
| I _p | Primary Current, measuring range(A) | 0.. ± 1000 |
| KN | Conversion ratio | 1: 5000 |
| I _{sn} | Secondary nominal current (mArms) | 100mA |
| X | Accuracy (Ta =+25°C) | ≤0.4% |
| EL | Linearity error | ≤0.1% |
| V _c | Power supply voltage(±5%) | ±15-24Vdc |
| I _{ofs} | Offset current (Ta =+25°C) | 0.35mA |
| Tr | Response time | ≤ 1uS |
| di/dt | di/dt | > 50A/uS |
| f | Frequency bandwidth | DC-100K Hz |
| I _c | Current consumption | 30mA + I _s (@±24V) |
| RM | Measuring resistance | 0-50Ω @±15V,I _p =500dc 20-100Ω @±24V,I _p =500dc |

| | | |
|----|-----------------------------------|------|
| Rs | Secondary coil resistance@Ta=70°C | 80Ω |
| Vd | Isolation test(50HZ,1min) | 12KV |

4. General data :

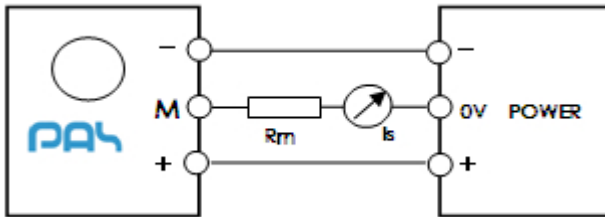
| | | |
|----|-------------------------------|----------------------|
| Ta | Ambient operating temperature | -50 - +85 °C |
| Ts | Ambient storage temperature | -60 - +90 °C |
| W | Mass | 260g |
| St | Standards | EN50178:1997 |
| Ha | Ambient operating humidity | 20-90% RH |
| | Case material | According to UL94-V0 |

5. Dimensions



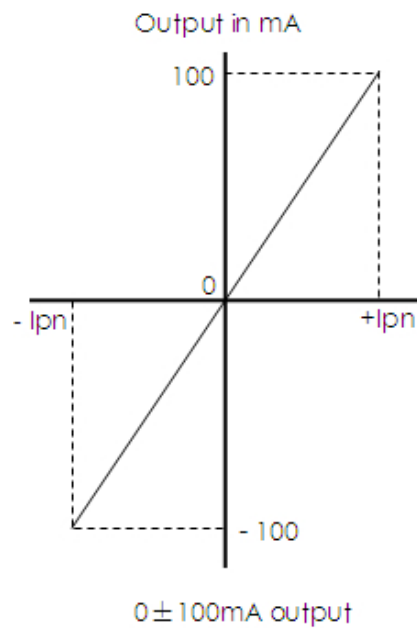
| | | | |
|-------------------|------------------|----------------|-------------------|
| General tolerance | ±1mm | | |
| Primary hole size | Φ30mm | | |
| fastening | Bottom: 6 x Φ4mm | Side: 4 x Φ4mm | With 3.2Nm torque |

6. Connection



| Pin | definition |
|-----|-------------------|
| 1 | (-)supply voltage |
| 2 | (M) measure |
| 3 | (+)supply voltage |

7. Output figure



8. Safety items



1. Only qualified people can operate with such electrical products.
2. Wrong connection may destroy the products.
3. ESD protection is necessary, please follow the correct process.
4. Do not use in the environment with conductive dust and corrosive gas.
5. The Potentiometers on the product are used by PAS internal, the user can not calibrate.
6. Strong vibration and very high temperature may damage the products.



1. After the installation, the bus bar may be connected to the high voltage equipment, please do not touch the exposed parts of the transducers to avoid electric shock!

Model Type: HIC-C23-500P5O10/SP93

SerialNumber:

Deliver Date: